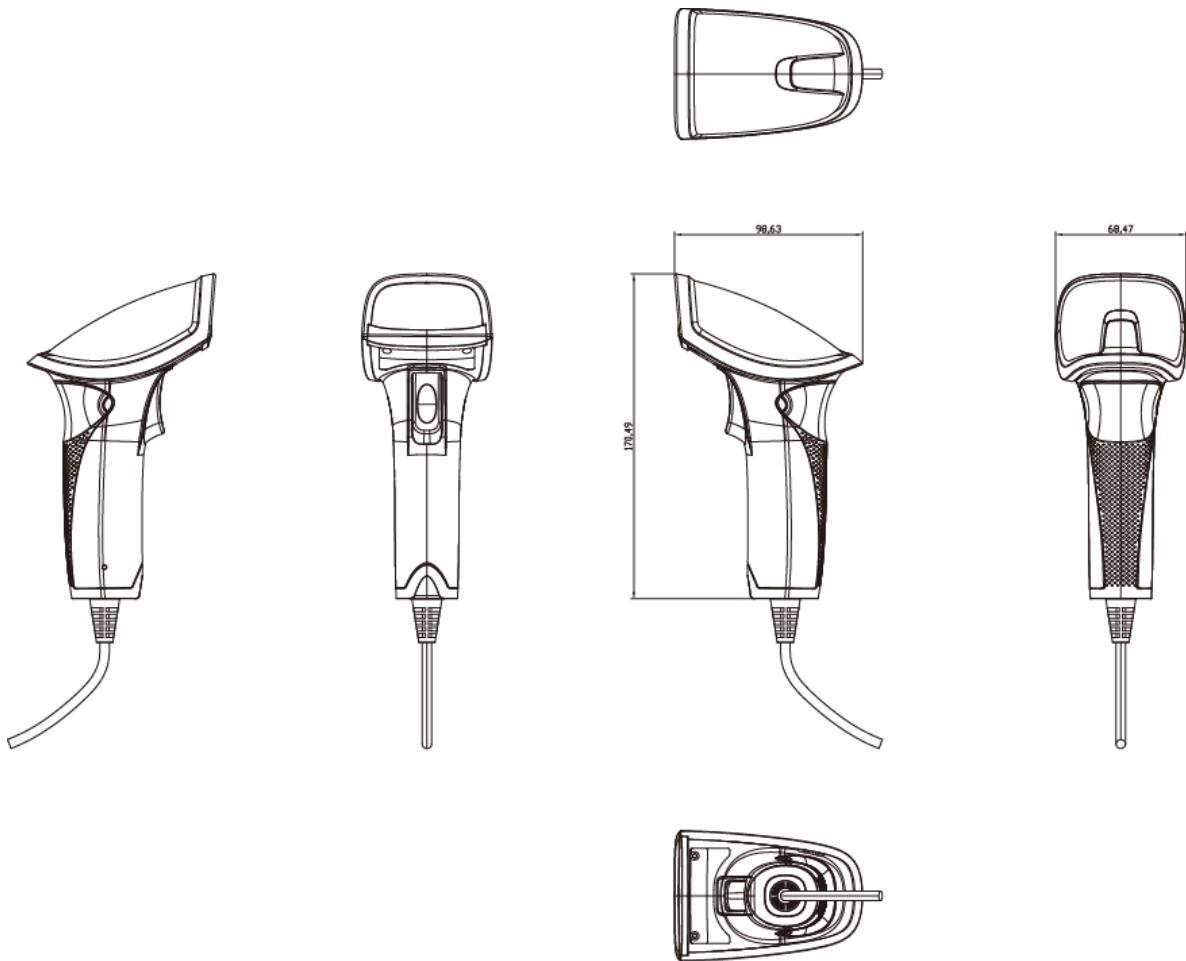


Durable Laser Barcode Scanner GS-6000



- **Dimensions**



- Specifications**

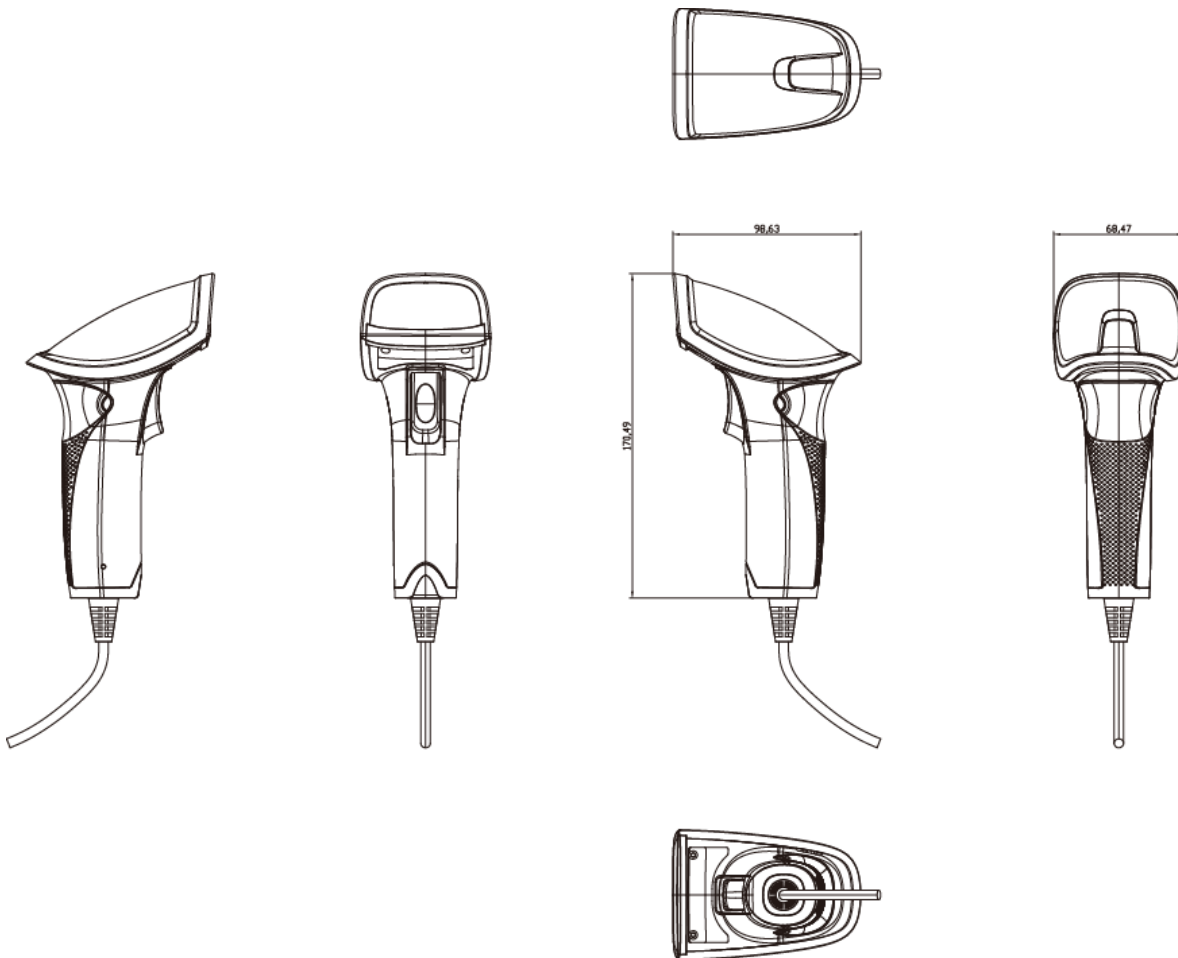
Model		GS-6000
General		
Scan Rate		200 scans/sec
Sensor Type		Laser diode
Wavelength		650 nm±10 nm
Depth of Field		3~55 cm max
Contrast Ratio		>30%
Scan Patten		Single scan line
Resolution		0.1 mm (4 mil) max.
System Interface		Keyboard Wedge / RS-232/ USB (USB-HID, USB-UART, HID-POS)
Indicator		Buzzer and LED illumination
Readable Bar Code Symbolologies		EAN-8/JAN-8, EAN-13/JAN-13, UPC-E, Code-128, CODE-93, RSS-Standard, RSS-Limited, RSS-Expanded, CODE-39, Inter-Leaved 2/5, Inter-Standard 2/5, Matrix 2/5, Industrial 2/5, China-Post, MSI, MSI-PLESSEY, CODE-BAR, CODE-11
Auto Scan		No
Power Input		5VDC ±5%
Operation Mode		50 mA(100 mA max)
Power		5V DC via cable
Material		ABS
Color		Grey
Shock Resistance		1.5m drop onto concrete
Compliance		CE, FCC
Weight		approx. 238 g (with cable)
Dimension (L x W x H:mm)		170.5 x 68.5 x 90.6
Cable Length		180 cm, exchangeable
Ambient Light		Daylight 4800 Lux
Operating Temperature		-10°C~50°C
Storage Temperature		-20°C~60°C
Storage Humidity		5% ~ 95% RH (non-condensing)



Durable Laser Barcode Scanner GS-6500



- **Dimensions**



- Specifications**

Model		GS-6500
General		
Scan Rate		100 scans/sec
Sensor Type		Laser diode
Wavelength		650nm
Depth of Field		3~50 cm max
Contrast Ratio		>30%
Scan Patten		Single scan line
Resolution		0.1mm (4 mil) max.
System Interface		Keyboard Wedge / RS-232 / USB
Indicator		Buzzer and LED illumination
Readable Bar Code Symbologies		EAN-8, EAN-13, UPC-A, UPC-E, CODE-39, CODE-128, EAN-128, Codabar, Industrial 2/5, Interleave 2/5, Matrix 2/5, MSI, GS1
Auto Scan		Yes
Power Input		5VDC \pm 5%
Operation Mode		85 mA (120mA max)
Power		5V DC via cable
Material		ABS
Color		Grey
Shock Resistance		1.5m drop onto concrete
Compliance		CE, FCC
Weight		approx. 242 g (with cable)
Dimension (L x W x H:mm)		170.5 x 68.5 x 90.6
Cable Length		180 cm, exchangeable
Ambient Light		Daylight, 5000 Lux
Operating Temperature		0°C~45°C
Storage Temperature		-20°C~ 60°C
Storage Humidity		5% -85% RH, non-condensing

